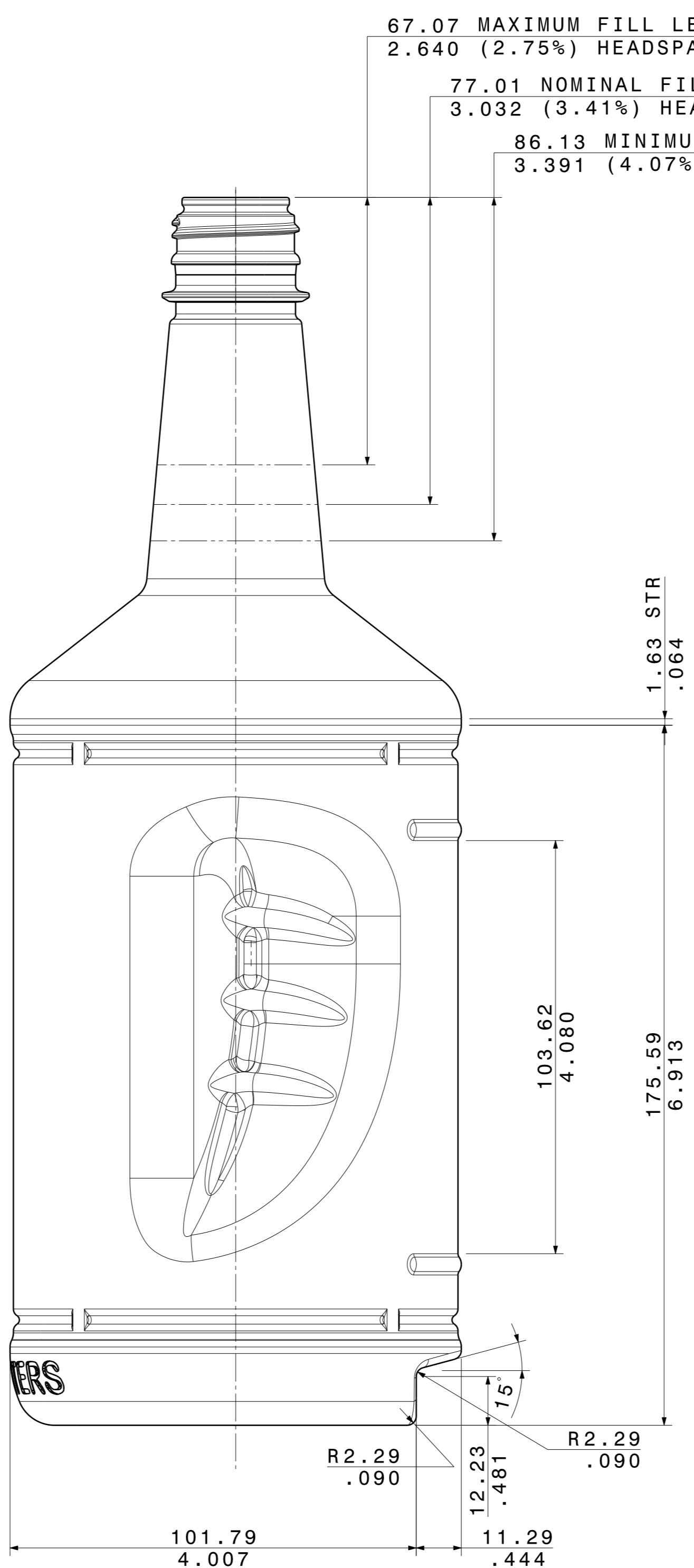
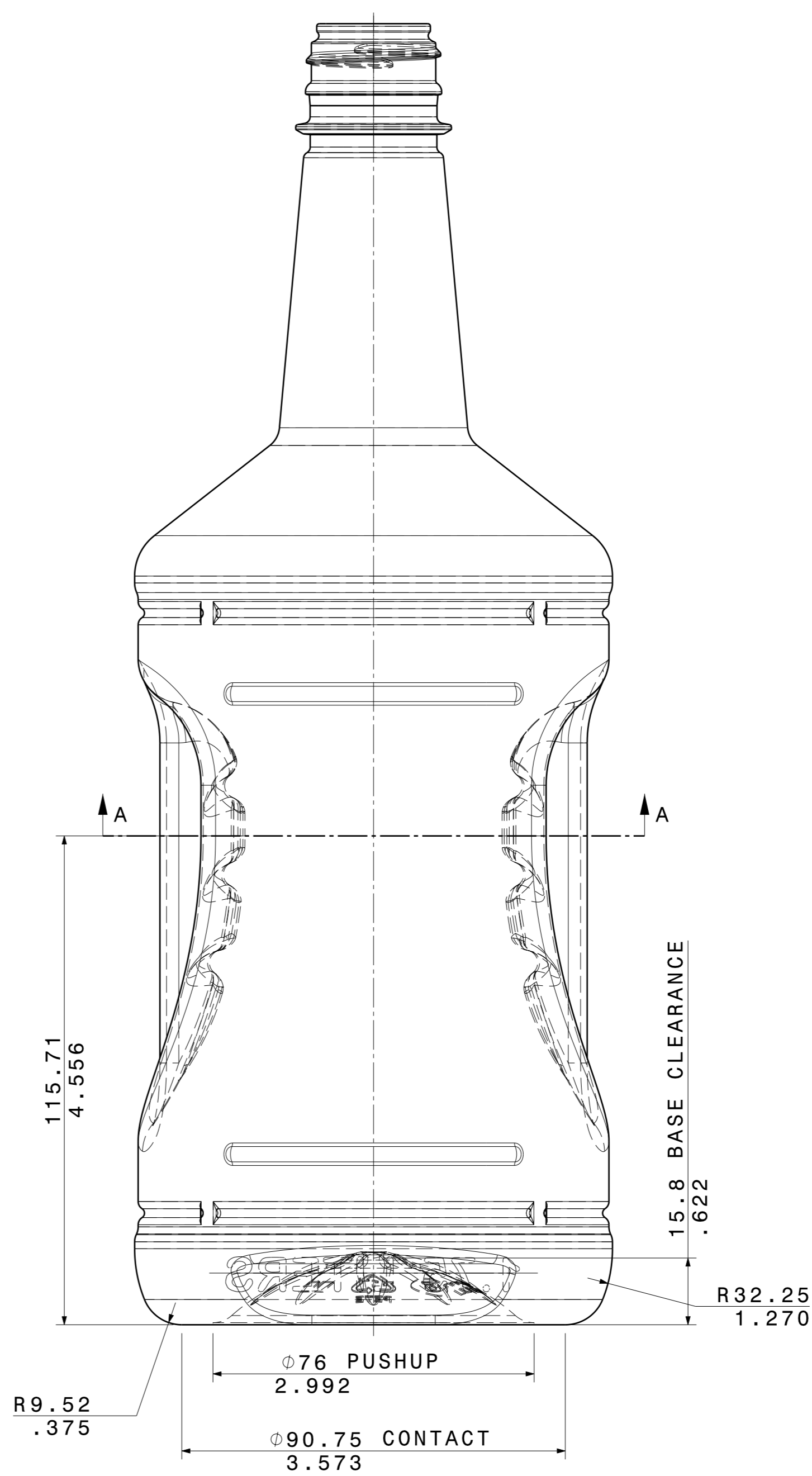


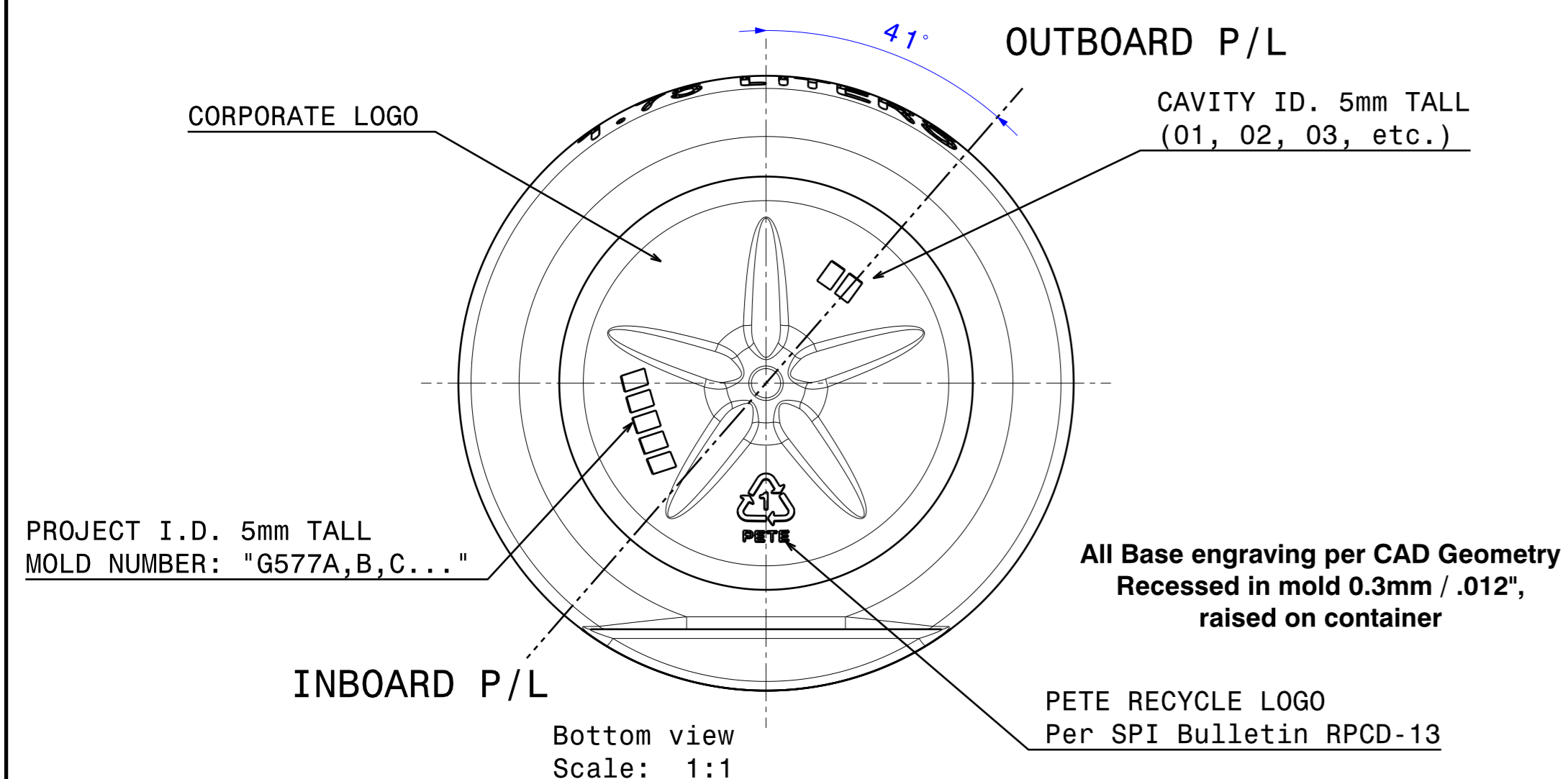
Front view
Scale: 1:1



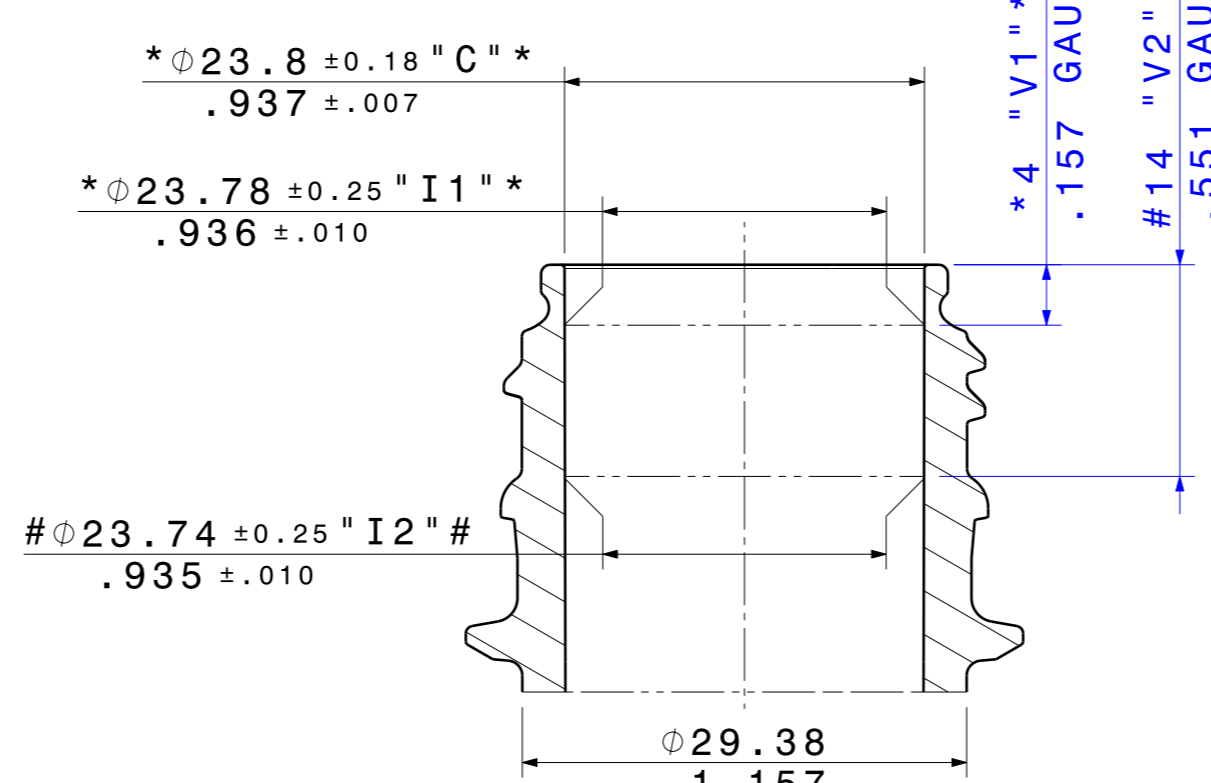
Right view
Scale: 1:1



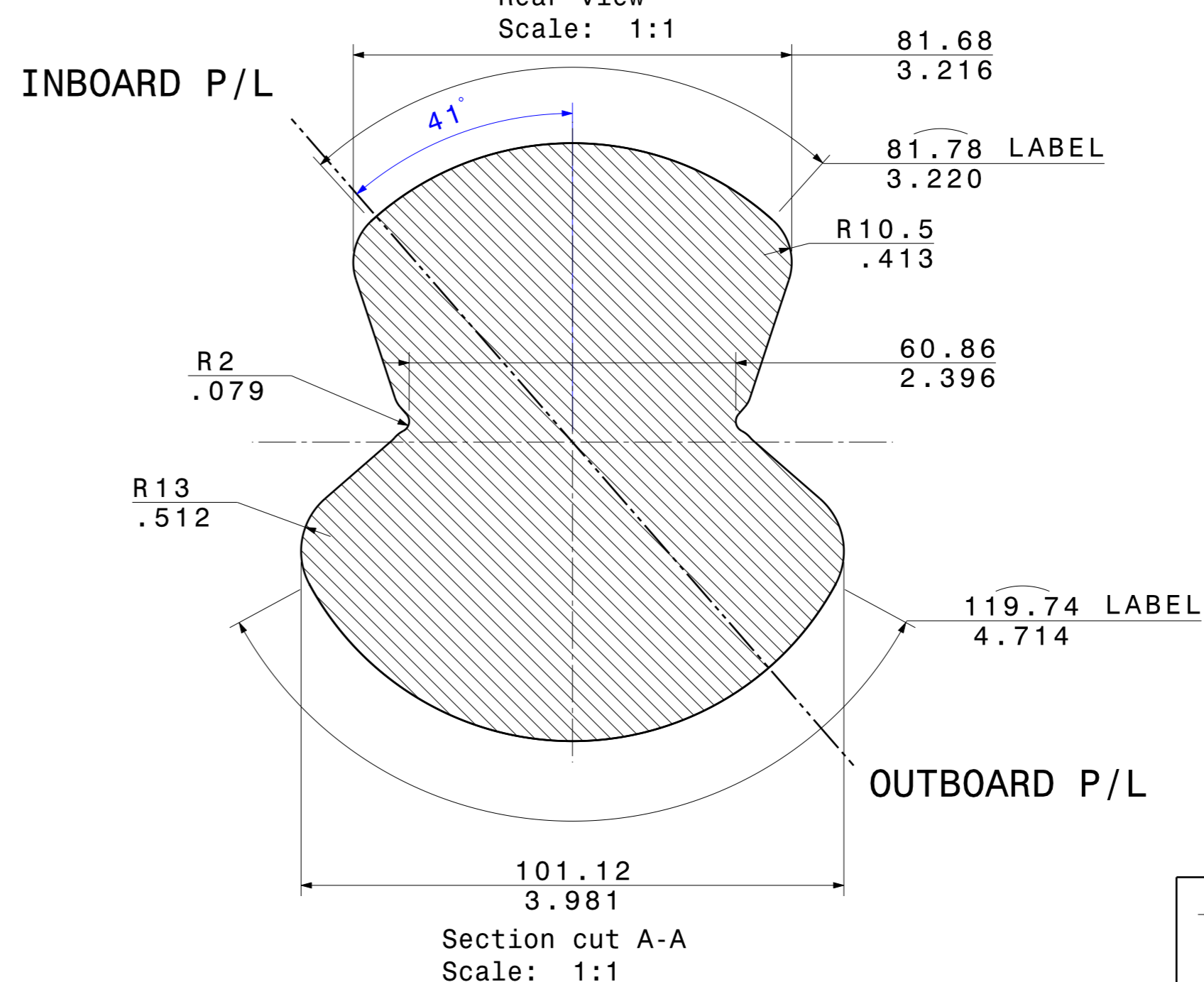
Rear view
Scale: 1:1



Bottom view
Scale: 1:1



PREFORM VIEW
P-4019-PD
Scale: 2:1



Section cut A-A
Scale: 1:1

Rev	Description	By	Date	ECR
A	Original Release	RJS	04MAY10	416410509845-078
B	UPDATED PREFORM WEIGHT TO P-4019-PD-E	JCG	05MAR13	416410511097-056
C	ADDED ALTERNATIVE PREFORM	JCG	19JUN13	416410511097-067

BLUE SHOULDER INSERT

- Notes:**
1. Dimensions are nominal in millimeters/inches.
 2. This drawing represents the bottle 72 hours after manufacture when stored at normal conditions.
 3. The dimensional tolerances to be applied to all height dimensions are the same as the tolerance applied to the Overall Height of the container.
 4. The dimensional tolerances to be applied to all diameter, width and thickness dimensions are the same as the tolerance applied to the major diameter or width of the container.
 5. The weight shown on the drawing is based on the design weight of the preform. The actual weight will vary based on the actual production weight of the preforms.
 6. The fill levels are based upon water at room temperature. Alcohol fill levels may vary.

CONFIDENTIAL

Capacity Specification			
Overflow Capacity	1812 ± 12 ml		
Volume & Weight Information			
Calculated Overflow Capacity:	1811.8	ml	Calculated Fill Line Capacity:
			1750
Total Mat'l Vol.:	59.2	cc	Material: PET
Container Target Weight:	81.2 ± 0.9 gm		
Mat'l Vol in Cont Body:	51.9	cc	As Blown Density: 1.371 gm/cc
Container Body Weight:	71.2 gm		
Mat'l Vol in Finish:	7.3	cc	Finish Density: 1.335 gm/cc
Finish Weight:	9.7 gm		
Surface Area Below Neck Finish:	950.1	sq.cm	Avg. Wall Thickness: .022" / 0.55 mm
Drawing Information			
Preform Drawing:	Finish Drawing:	Reference Drawing:	
Date:	04MAY10	Drawn By:	Customer:
Title:	1.75L 80gm Stock Ring Force		

CONFIDENTIAL
3D CAD IS THE MASTER MODEL FOR THIS PRODUCT

DESCRIPTION	TARGET OVERFLOW	MAT'L VOLUME IN BODY	AVG. WALL THICKNESS	PREFORM DRAWING	FINISH DRAWING	CONTAINER HEIGHT
83.4g PREFORM	1810 ± 12 ml	53.8 cc	0.55mm/.022"	P-1375-PD	F-1112-PD	307.98mm/12.125"

ALTERNATIVE PREFORMS

Drawing Type: **PRODUCT DRAWING**
 Drawing Number: **D** Rev: **C**